

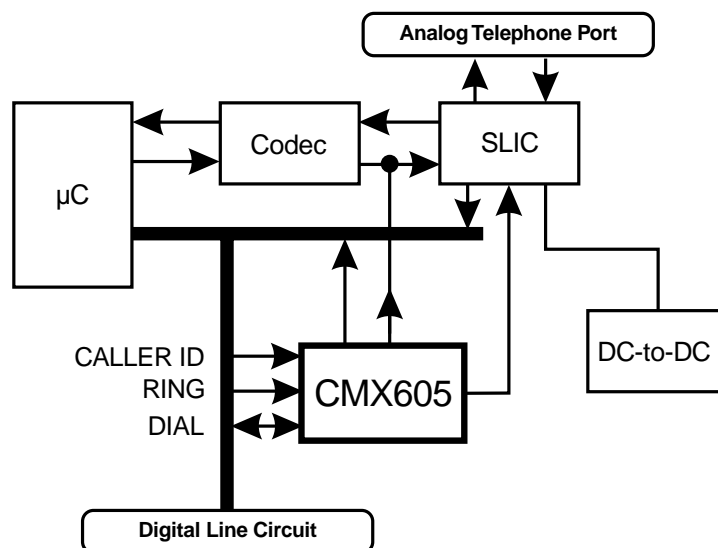
### PRELIMINARY INFORMATION

#### Features

- Pre-Programmed Tone Generators
- Fully Integrated DTMF Decoder/Encoder
- SPM Generator
- Simple Serial Control Interface
- 3.58MHz Xtal/Clock
- V.23/Bell 202 FSK Generator
- Digital Ringing Voltage Generator

#### Applications

- Digital Line to POTS Interface
- Subscriber Terminal Adapters
- Wireless Local Loop
- Computer Telephony Integration
- Telephone/Radio Patch Systems
- Pair Gain Systems
- Billing/SPM Systems



The CMX605 is an integrated telecom tone generator and DTMF encoder/decoder designed for ISDN interfaces, Wireless Local Loop and Analog to Digital Telephone Conversion systems. The tone generator covers an extensive range of pre-programmed tones used in analog telephone systems (POTS). Three outputs are provided: 'Ringing signals', 'In-band tones or FSK data', and '12kHz/16kHz Metering pulses'. Simple software control facilitates the interface to a wide range of commonly used  $\mu$ Cs and SLICs, enabling a comprehensive analog telephone line presentation.

The DTMF encoder/decoder presents the digital line interface with DTMF dialing information received from the telephone user and generates the appropriate DTMF tones for the POTS interface. DTMF tone pairs can be encoded along with each tone singly or with other dual tone signals, such as those used in CIDCW systems and 'On Hook' signaling systems.

Other tone standards supported are: Fax and Modem 'answer' and 'originate', ITU (CCITT) 'R1' and 'R2' signals, and sufficient tones for simple melody generation. Communication to and from the host  $\mu$ C is performed by a 'C-BUS' interface which is compatible with common serial interfaces such as: SCI, SPI, and Microwire.

The CMX605 operates using a 2.7V to 5.5V supply and is available in the following packages: 16-pin SOIC (CMX605D4) and 16-pin PDIP (CMX605P3).

# CONTENTS

Section	Page
<b>1 Block Diagram</b> .....	<b>3</b>
<b>2 Signal List</b> .....	<b>4</b>
<b>3 External Components</b> .....	<b>5</b>
<b>4 General Description</b> .....	<b>5</b>
4.1 Xtal Osc and Clock Dividers .....	5
4.2 Uncommitted Amplifier .....	5
4.3 Tone/FSK Encoder and Tone Encoder .....	6
4.4 SPM Generator .....	8
4.5 Tx Signal Control .....	8
4.6 Tx UART .....	10
4.6.1 Tx UART Timings .....	10
4.7 DTMF Tone Decoder .....	11
4.8 'C-BUS' Interface .....	12
4.9 'C-BUS' Registers .....	13
4.10 C-BUS Timings .....	14
<b>5 Application</b> .....	<b>17</b>
5.1 Telecom Tones .....	17
<b>6 Performance Specification</b> .....	<b>21</b>
6.1 Electrical Performance .....	21
6.1.1 Absolute Maximum Ratings .....	21
6.1.2 Operating Limits .....	21
6.1.3 Operating Characteristics .....	22
6.1.4 Timing .....	25
6.2 Packaging .....	26

MX-COM, Inc reserves the right to change specifications at any time and without notice.
---

# 1 Block Diagram

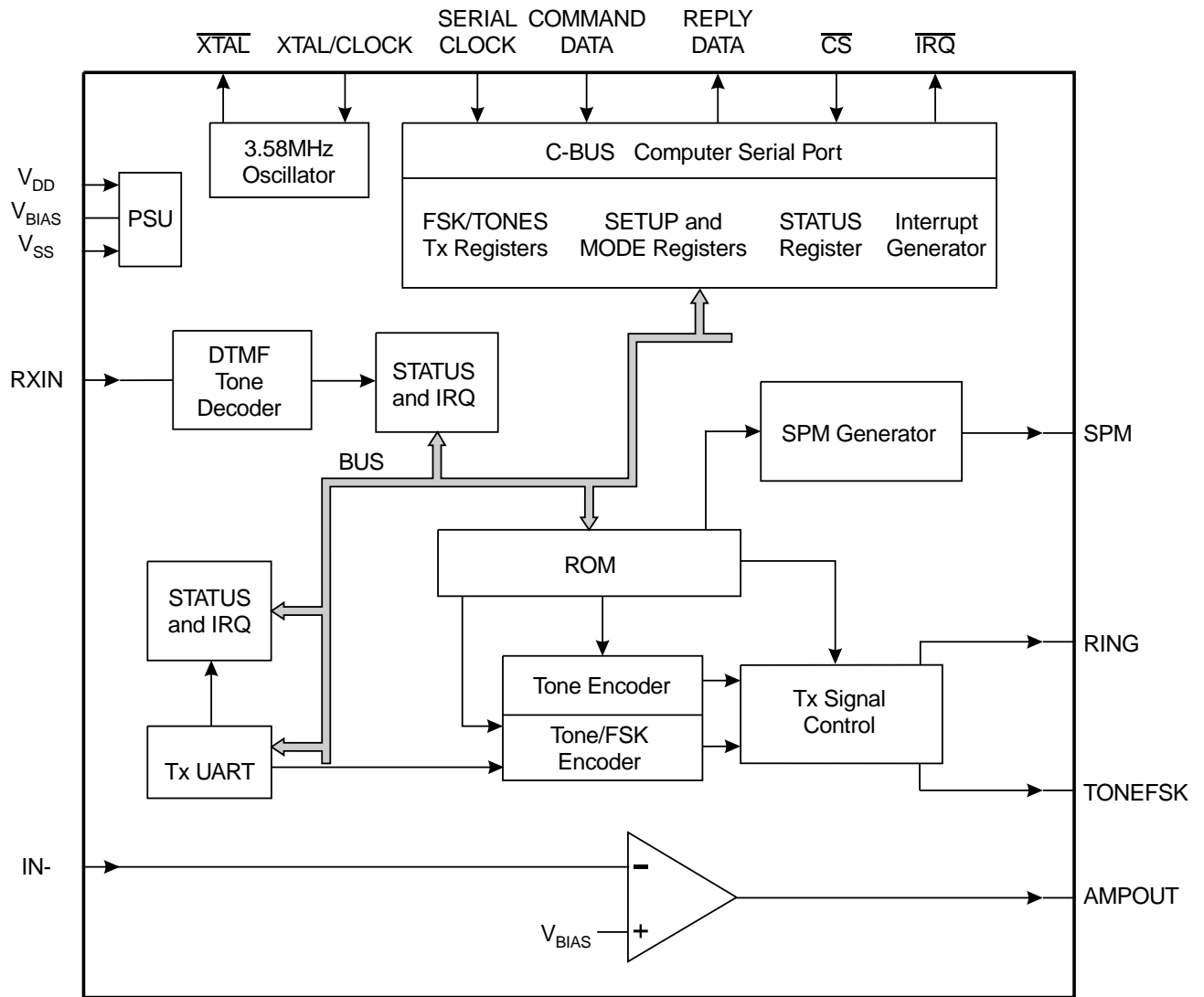


Figure 1: Block Diagram

## 2 Signal List

CMX605 D4/P3	Signal		Description
Pin No.	Name	Type	
1	$\overline{\text{XTAL}}$	output	The output of the on-chip Xtal oscillator inverter.
2	XTAL/CLOCK	input	The input to the oscillator inverter from the Xtal circuit or external clock source.
3	SERIAL CLOCK	input	The 'C-BUS' serial clock input from the host $\mu\text{C}$ . See Section 4.8
4	COMMAND DATA	input	The 'C-BUS' serial data input from the host $\mu\text{C}$ .
5	REPLY DATA	tri-state	A 3-state 'C-BUS' serial data output to the host $\mu\text{C}$ . This output is high impedance when not sending data to the host $\mu\text{C}$ .
6	$\overline{\text{CS}}$	input	Chip Select. The 'C-BUS' transfer control input provided by the host $\mu\text{C}$ .
7	$\overline{\text{IRQ}}$	output	A 'wire-ORable' output for connection to a host $\mu\text{C}$ Interrupt Request input. This output is pulled down to $V_{\text{SS}}$ when active and is high impedance when inactive. An external pull-up resistor is required.
8	$V_{\text{SS}}$	power	The negative supply rail (ground).
9	TONEFSK	output	The sinewave output of the Tones and FSK signal generators.
10	SPM		The sinewave output of the SPM signal generator.
11	$V_{\text{BIAS}}$	output	An internally generated bias voltage of $V_{\text{DD}}/2$ , except when the device has been reset, $V_{\text{BIAS}}$ will discharge to $V_{\text{SS}}$ . It should be bypassed to $V_{\text{SS}}$ by a capacitor mounted close to the device pins.
12	RXIN	input	The input to the DTMF decoder, internally biased at $V_{\text{DD}}/2$ . It should be AC coupled.
13	IN-	input	The inverting input to the uncommitted amplifier.
14	AMPOUT	output	The output of the uncommitted amplifier.
15	RING	output	The squarewave output of the Ringing Signal generator.
16	$V_{\text{DD}}$	power	The positive supply rail. Levels and thresholds within the device are proportional to this voltage. It should be bypassed to $V_{\text{SS}}$ by a capacitor mounted close to the device pins.

This device is capable of detecting and decoding small amplitude signals. To achieve this,  $V_{\text{DD}}$  and  $V_{\text{BIAS}}$  decoupling and protection of the receive path from extraneous in-band signals are very important. It is recommended that the printed circuit board is laid out with a ground plane in the CMX605 area to provide a low impedance connection between the  $V_{\text{SS}}$  pin and the  $V_{\text{DD}}$  and  $V_{\text{BIAS}}$  bypass capacitors.

**Table 1: Signal List**

### 3 External Components

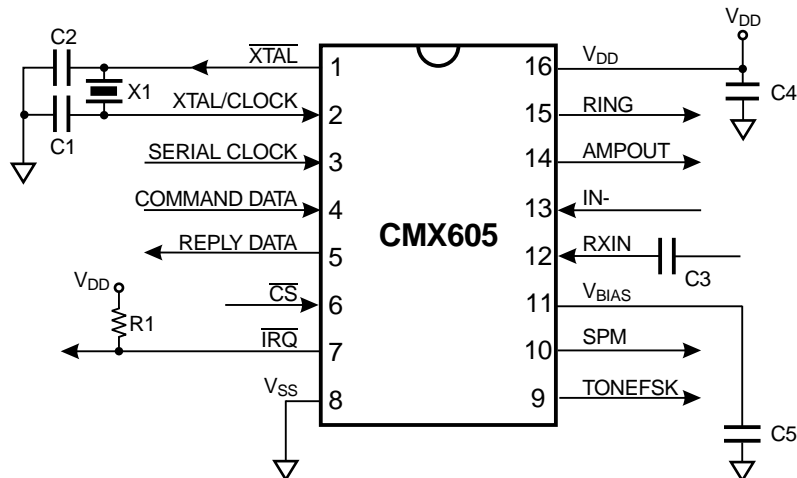


Figure 2: Recommended External Components

R1	100k $\Omega$	C1, C2	18pF
		C3	0.1 $\mu$ F
X1	3.579545 MHz	C4, C5	1.0 $\mu$ F

Table 2: Recommended External Components

#### Recommended External Component Notes:

1. Resistors  $\pm 5\%$ , capacitors  $\pm 10\%$  unless otherwise stated.
2. For best results, a crystal oscillator design should drive the clock inverter input with signal levels of at least 40% of  $V_{DD}$ , peak to peak. Tuning fork crystals generally cannot meet this requirement. To obtain crystal oscillator design assistance, please consult your crystal manufacturer.

## 4 General Description

The CMX605 is a telecom tone generator and DTMF tone encoder/decoder. It has separate output ports for the three different classes of signals encoded. These include Ringing signal, In-band tones or FSK data at 1200bps and High frequency metering pulses (SPM tones). It has a transmit level attenuator for In-band tones or FSK data and an envelope control for SPM tones. It also has an uncommitted amplifier and uses the industry standard 3.58MHz Xtal for its oscillator. These functions are controlled over a 'C-BUS' serial  $\mu$ C interface, which also carries the transmit FSK data and the DTMF decoded data.

The CMX605 should initially be reset by issuing a 'C-BUS' RESET command. Individual functions may be disabled or enabled by the use of bits 5, 6 and 7 in the SETUP Register. See Section 4.9. Approximately 50ms should be allowed for the Tx dc level to settle at  $V_{BIAS}$  before enabling the Tx functions (set bit 6 of the MODE Register to '1') after the CMX605 has been reset.

### 4.1 Xtal Osc and Clock Dividers

Frequency and timing accuracy of the CMX605 is determined by a 3.579545MHz clock present at the XTAL/CLOCK pin. This may be generated by the on-chip oscillator inverter using the external components C1, C2 and X1 of Figure 2, or may be supplied from an external source to the XTAL/CLOCK input. If the clock is supplied from an external source, C1, C2 and X1 should not be fitted.

If the clock is provided by an external source which is not always running, then the CMX605 should be reset when the clock is not available. Resetting the CMX605 will also turn off the on-chip oscillator. Failure to reset the device may cause a rise in the supply current drawn by the CMX605.

### 4.2 Uncommitted Amplifier

This amplifier, with suitable external components, can be used either for adjusting the received signal to the correct amplitude for the DTMF decoder or for adjusting the transmit signal level (for the line hybrid).

### 4.3 Tone/FSK Encoder and Tone Encoder

When bit 5 of the MODE Register is set to '1' then these blocks generate FSK signals as determined by bit 0 of the SETUP Register and the Tx data bits from the UART block, as shown in Table 3.

SETUP Register Bit 0	Tone/FSK Generator	FSK Signal Frequency '0' (Space)	FSK Signal Frequency '1' (Mark)
0	V23 1200bps FSK	2100Hz	1300Hz
1	Bell 202 1200bps FSK	2200Hz	1200Hz

**Table 3: Tone/FSK Encoder and Tone Decoder**

When bit 5 of the MODE Register is set to '0', these blocks generate single or dual tones from the range shown in Table 4, Table 5, Table 6, and Table 7. Bit 6 of the MODE Register is then used to enable or disable the block's output to the Tx Signal Control, RING, and ToneFSK outputs. There are four tone fields addressed by bits 0 and 1 of the MODE Register.

TX TONES Register Bits 4-7				Frequency (Hz)	TX TONES Register Bits 0-3				Frequency (Hz)
D7	D6	D5	D4		D3	D2	D1	D0	
0	0	0	0	0 = OFF	0	0	0	0	0 = OFF
0	0	0	1	252.4	0	0	0	1	* 17.1
0	0	1	0	268.7	0	0	1	0	* 20.5
0	0	1	1	285.3	0	0	1	1	* 24.9
0	1	0	0	315.5	0	1	0	0	* 34.1
0	1	0	1	330.5	0	1	0	1	* 41.0
0	1	1	0	375.2	0	1	1	0	* 51.2
0	1	1	1	404.3	0	1	1	1	-
1	0	0	0	468.0	1	0	0	0	262.9
1	0	0	1	495.8	1	0	0	1	293.6
1	0	1	0	520.6	1	0	1	0	348.2
1	0	1	1	548.0	1	0	1	1	392.6
1	1	0	0	562.8	1	1	0	0	1600
1	1	0	1	578.4	1	1	0	1	1633
1	1	1	0	595.0	1	1	1	0	1827
1	1	1	1	612.5	1	1	1	1	587.2

**Table 4: Tone Field 0, MODE Register bit 1 and bit 0 = '0' and '0' respectively.**

**NOTE:** \* These outputs are routed to the RING digital output instead of the TONEFSK output. Any single tone output level at TONEFSK output is 0dBm.

TX TONES Register Bits 4-7				Frequency (Hz)	TX TONES Register Bits 0-3				Frequency (Hz)
D7	D6	D5	D4		D3	D2	D1	D0	
0	0	0	0	0 = OFF	0	0	0	0	0 = OFF
0	0	0	1	120	0	0	0	1	330
0	0	1	0	150	0	0	1	0	416
0	0	1	1	154	0	0	1	1	420
0	1	0	0	250	0	1	0	0	425
0	1	0	1	300	0	1	0	1	433
0	1	1	0	350	0	1	1	0	440
0	1	1	1	360	0	1	1	1	450
1	0	0	0	367	1	0	0	0	460
1	0	0	1	375	1	0	0	1	480
1	0	1	0	380	1	0	1	0	500
1	0	1	1	383	1	0	1	1	600
1	1	0	0	400	1	1	0	0	620
1	1	0	1	450	1	1	0	1	720
1	1	1	0	475	1	1	1	0	930
1	1	1	1	480	1	1	1	1	-

Table 5: Tone Field 1, MODE Register bit 1 and bit 0 = '0' and '1' respectively

TX TONES Register Bits 4-7				Frequency (Hz)	TX TONES Register Bits 0-3				Frequency (Hz)
D7	D6	D5	D4		D3	D2	D1	D0	
0	0	0	0	0 = OFF	0	0	0	0	0 = OFF
0	0	0	1	700	0	0	0	1	700
0	0	1	0	900	0	0	1	0	900
0	0	1	1	1100	0	0	1	1	1100
0	1	0	0	1300	0	1	0	0	1300
0	1	0	1	1500	0	1	0	1	1500
0	1	1	0	1700	0	1	1	0	1700
0	1	1	1	-	0	1	1	1	-
1	0	0	0	950	1	0	0	0	2100
1	0	0	1	1400	1	0	0	1	2225
1	0	1	0	1800	1	0	1	0	-
1	0	1	1	2130	1	0	1	1	2750
1	1	0	0	697	1	1	0	0	1209
1	1	0	1	770	1	1	0	1	1336
1	1	1	0	852	1	1	1	0	1477
1	1	1	1	941	1	1	1	1	1633

Table 6: Tone Field 2, MODE Register bit 1 and bit 0 = '1' and '0' respectively

TX TONES Register Bits 4-7				Frequency (Hz)	TX TONES Register Bits 0-3				Frequency (Hz)
D7	D6	D5	D4		D3	D2	D1	D0	
0	0	0	0	0 = OFF	0	0	0	0	0 = OFF
0	0	0	1	540	0	0	0	1	540
0	0	1	0	660	0	0	1	0	660
0	0	1	1	780	0	0	1	1	780
0	1	0	0	900	0	1	0	0	900
0	1	0	1	1020	0	1	0	1	1020
0	1	1	0	1140	0	1	1	0	1140
0	1	1	1	-	0	1	1	1	-
1	0	0	0	1380	1	0	0	0	1380
1	0	0	1	1500	1	0	0	1	1500
1	0	1	0	1620	1	0	1	0	1620
1	0	1	1	1740	1	0	1	1	1740
1	1	0	0	1860	1	1	0	0	1860
1	1	0	1	1980	1	1	0	1	1980
1	1	1	0	-	1	1	1	0	-
1	1	1	1	-	1	1	1	1	-

**Table 7: Tone Field 3, MODE Register bit 1 and bit 0 = '1' and '1' respectively**

#### 4.4 SPM Generator

This block operates independently and has its own output pin. It can transmit 12kHz or 16kHz and is controlled by bit 4 of the SETUP Register. Bit 7 of the MODE Register is used to enable or disable this block. The signal has a rise and fall time each of about 4.5ms. The SPM signal rises from the bias level to 0dBm in 16 steps of  $\approx 2$ dB magnitude, and falls from 0dBm to bias level in 16 steps of  $\approx 2$ dB magnitude.

#### 4.5 Tx Signal Control

This block adjusts the amplitude of the FSK transmit signal output level, the level skew between DTMF tones, and the signal routing to the output ports.

Output signal levels are proportional to  $V_{DD}$ . The nominal output signal levels (at 0dB attenuation and  $V_{DD} = 5.0V$ ) are:

Single Tone	0dBm
Dual Tone (per tone)	-3dBm
DTMF High Frequency Tone	-3dBm
DTMF Low Frequency Tone	-5dBm
FSK Signal	0dBm

The RING signal is digital: a square wave with amplitude of  $\gg V_{DD}$  peak to peak. When the RING signal is not selected, the RING output pin is connected to  $V_{SS}$ .

The level attenuator provides for level adjustment from 0dB to -14dB in -2dB steps. The typical level is determined by bits 2 to 4 of the MODE Register as shown in Table 8.



MODE Register			Signal Level Adjustment
Bit 4	Bit 3	Bit 2	(dB)
0	0	0	0
0	0	1	-2
0	1	0	-4
0	1	1	-6
1	0	0	-8
1	0	1	-10
1	1	0	-12
1	1	1	-14

**Table 8: Typical Level settings as determined by Bits 2, 3, and 4 of the Mode Register**

### 4.6 Tx UART

This block connects the  $\mu$ C, via the 'C-BUS' interface, to the FSK Encoder.

The block can be programmed to convert transmit data from 8-bit bytes to asynchronous data characters by adding Start and Stop bits. The transmit data is then passed to the FSK Encoder.

Data to be transmitted should be loaded by the  $\mu$ C into the TX DATA Register when the Tx Data Ready bit (bit 6) of the STATUS Register goes high. The data will then be treated by the Tx UART block in one of two ways, depending on the setting of bit 1 of the SETUP Register:

If bit 1 of the SETUP Register is '0' (Tx Sync mode) then the 8 bits from the TX DATA Register will be transmitted sequentially at 1200bps, LSB (D0) first.

If bit 1 of the SETUP Register is '1' (Tx Async mode) then bits will be transmitted as asynchronous data characters at 1200bps according to the following format:

- One Start bit (Space)
- Eight Data bits (D0-D7) from the TX DATA Register, with the LSB (D0) transmitted first
- One Stop bit (Mark)

Failure to load the TX DATA Register with a new value when required will result in bit 7 (Tx Data Underflow) of the STATUS Register being set to '1'. If the 'Tx Async' mode of operation is selected then a continuous Mark ('1') signal will be transmitted until a new value is loaded into TX DATA. If the 'Tx Sync' mode is selected then the byte already in the TX DATA Register will be re-transmitted.

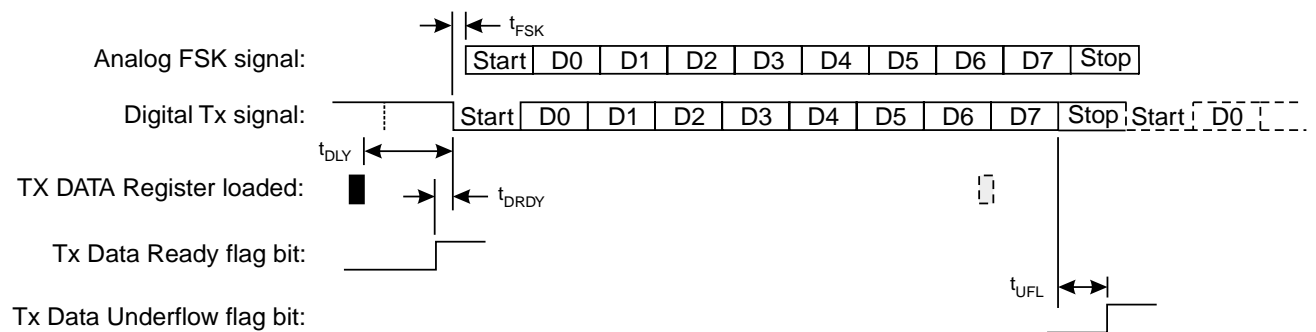


Figure 3: Transmit UART Function (Async)

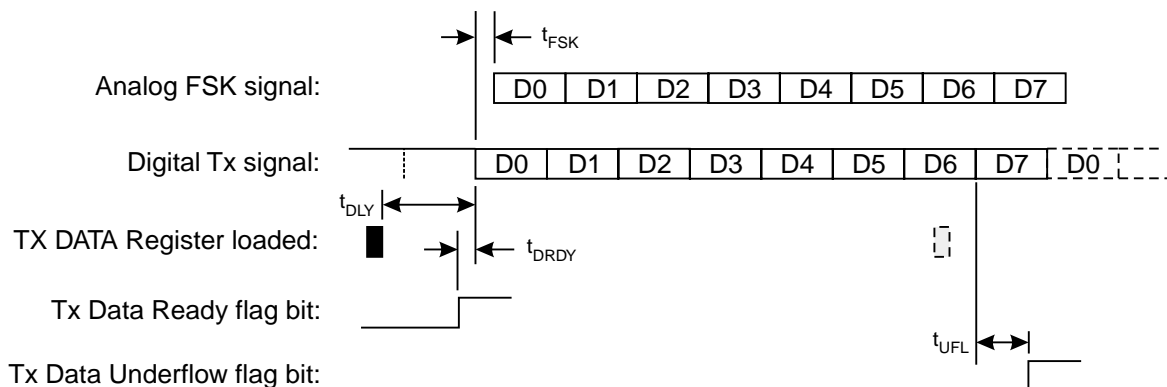


Figure 4: Transmit UART Function (Sync)

#### 4.6.1 Tx UART Timings

Typical UART Timings (See Figure 3 and Figure 4)		Notes	Min.	Typ.	Max.	Unit
$t_{FSK}$	(delay through the modulator)			106		$\mu$ s
$t_{DLY}$	(1 bit-period)			833		$\mu$ s
$t_{DRDY}$	(1/4 bit-period)			208		$\mu$ s
$t_{UFL}$	(3/4 bit-period)			625		$\mu$ s

## 4.7 DTMF Tone Decoder

This block is enabled or disabled by bit 5 of the SETUP register. If disabled, bit 0 to bit 5 of the STATUS Register are set to '0' and no interrupts are generated. When enabled (set to '1'), a status change of the decoder will generate an interrupt and bit 5 of the STATUS Register will be set to '1'. The validity of the data is indicated by bit 4 of the STATUS Register. The decode truth table is shown in Table 9.

STATUS Register Bits 0 - 3				DTMF Tone Pairs		Keypad Legend
Bit 3 (D3)	Bit 2 (D2)	Bit 1 (D1)	Bit 0 (D0)	Lower Frequency (Hz)	Upper Frequency (Hz)	
0	0	0	0	941	1633	D
0	0	0	1	697	1209	1
0	0	1	0	697	1336	2
0	0	1	1	697	1477	3
0	1	0	0	770	1209	4
0	1	0	1	770	1336	5
0	1	1	0	770	1477	6
0	1	1	1	852	1209	7
1	0	0	0	852	1336	8
1	0	0	1	852	1477	9
1	0	1	0	941	1336	0
1	0	1	1	941	1209	*
1	1	0	0	941	1477	#
1	1	0	1	697	1633	A
1	1	1	0	770	1633	B
1	1	1	1	852	1633	C

**Table 9: DTMF Decode Truth Table**

A status change of the decoder and the generation of an interrupt will occur both when a tone is first decoded and also when a tone, which was previously present, is no longer decoded. In the latter case, Bit 4 of the STATUS Register will be set to "0" to indicate that no tone was detected.

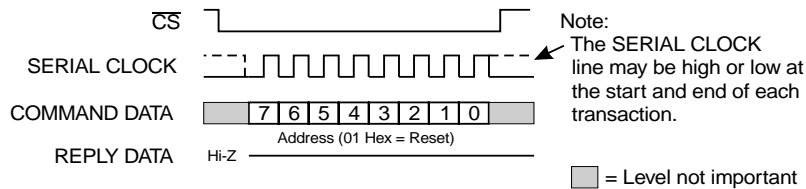
### 4.8 'C-BUS' Interface

This block provides for the transfer of data and control or status information between the CMX605's internal registers and the  $\mu$ C over the 'C-BUS' serial bus. Each 'C-BUS' transaction consists of a single Register Address byte sent from the  $\mu$ C, as illustrated in Figure 5, which may then be followed by either of:

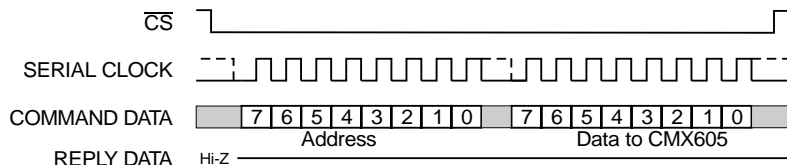
A single data byte sent from the  $\mu$ C to be written into one of the CMX605's Write Only Registers, as illustrated in Figure 6.

A single byte of data read out from one of the CMX605's Read Only Registers, as illustrated in Figure 7.

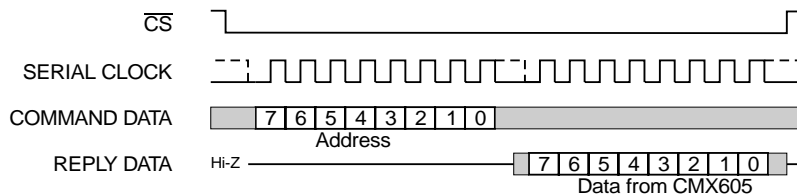
Data sent from the  $\mu$ C on the Command Data (COMMAND DATA) line is clocked into the CMX605 on the rising edge of the Serial Clock (SERIAL CLOCK) input. Reply Data (REPLY DATA) sent from the CMX605 to the  $\mu$ C is valid when the Serial Clock is high. The interface is compatible with the most common  $\mu$ C serial interfaces such as SCI, SPI and Microwire, and may also be easily implemented with general purpose  $\mu$ C I/O pins controlled by a simple software routine. See Figure 13 for detailed 'C-BUS' timing requirements.



**Figure 5: 'C-BUS' Transactions (Single byte from  $\mu$ C)**



**Figure 6: 'C-BUS' Transactions (One Address and one Data Byte from  $\mu$ C)**



**Figure 7: 'C-BUS' Transactions (One Address Byte from  $\mu$ C and one Reply Byte from CMX605)**

## 4.9 'C-BUS' Registers

		Command Data Byte (Bits 7 – 0)							
Addr	Register	7	6	5	4	3	2	1	0
\$01	RESET	N/A	N/A	N/A	N/A	N/A	N/A	N/A	N/A
\$D0	SETUP	Uncommitted Amplifier 0 = Disable 1 = Enable	Tx Enable: 0 = Disable 1 = Enable	DTMF Rx: 0 = Disable 1 = Enable	SPM: 0 = 12kHz 1 = 16kHz	Reserved set to 0	Reserved set to 0	FSK mode: 0 = Sync 1 = Async	FSK mode: 0 = V23 1 = Bell 202
\$D1	MODE	SPM Output: 0 = Disable 1 = Enable	Tone/FSK: 0 = Disable 1 = Enable	Tone/FSK: 0 = Tone 1 = FSK	Tx Level: (MSB)	Tx Level:	Tx Level: (LSB)	Tone Fields: (MSB)	Tone Fields: (LSB)
\$D3	TX DATA	D7	D6	D5	D4	D3	D2	D1	D0
\$D4	TX TONES	D7	D6	D5	D4	D3	D2	D1	D0

**Table 10: Write Only Registers**

		Reply Data Byte (Bits 7 – 0)							
Addr.	Register	7	6	5	4	3	2	1	0
\$DF	STATUS	FSK Mode:	FSK Mode:	DTMF Rx:	DTMF Rx:	DTMF:	DTMF:	DTMF:	DTMF:
		FSK Tx Data Underflow	FSK Tx Data Ready	Status Change	1 = Detected 0 = NoTone Timer timed out	Rx Data (D3) (MSB)	Rx Data (D2)	Rx Data (D1)	Rx Data (D0) (LSB)

**Table 11: Read Only Registers**

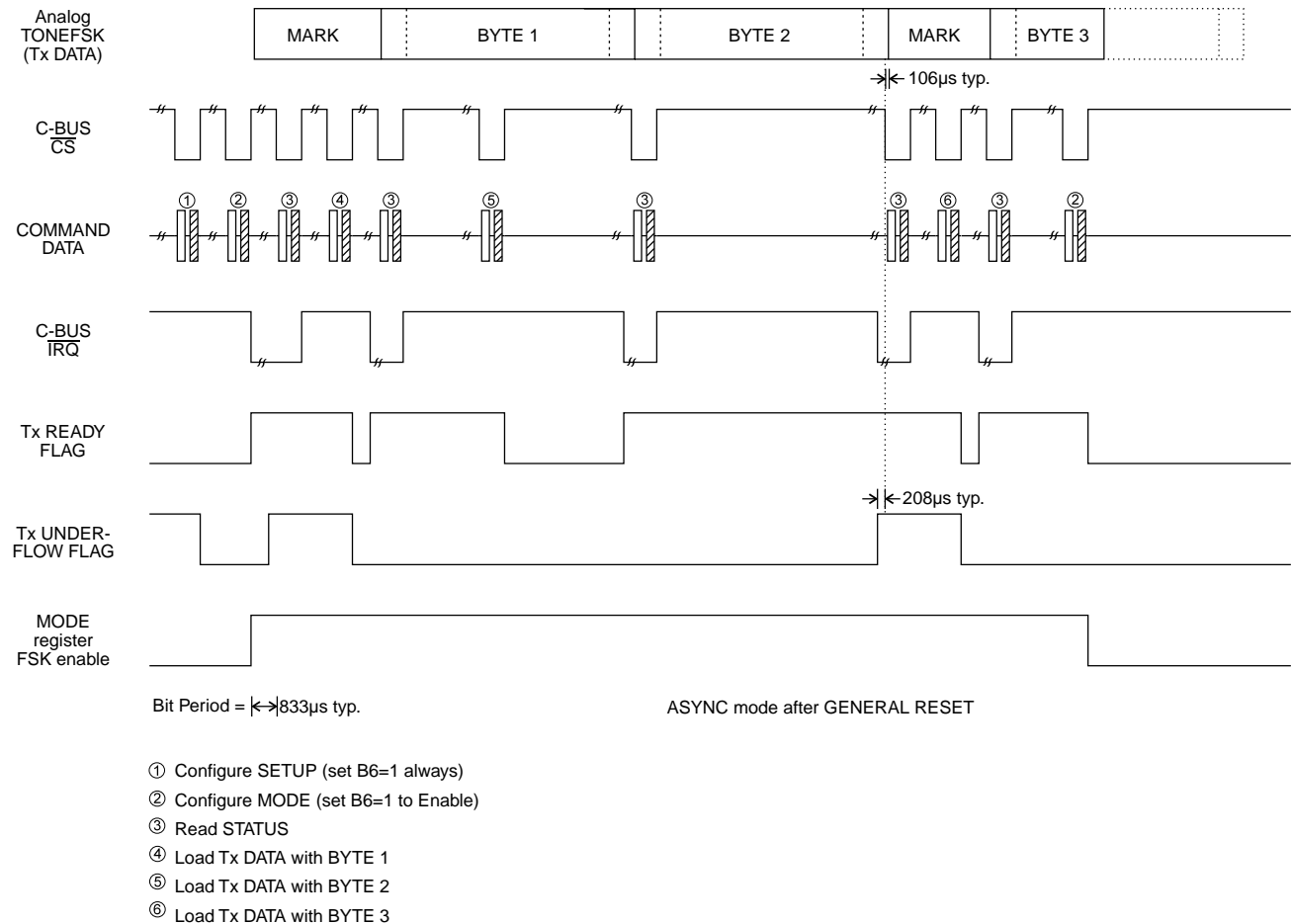
### Notes:

1. Accessing the RESET Register over the 'C-BUS' clears all of the bits in the SETUP, MODE, TX DATA, TX TONES and STATUS registers. This will initialize the device.  
Note that this is a single-byte 'C-BUS' transaction consisting solely of the address byte value \$01.
2. If any of bits 5, 6 or 7 of the STATUS Register is '1' then the  $\overline{IRQ}$  output will be pulled low.
3. Reading the STATUS Register clears the  $\overline{IRQ}$  output and also clears bit 5 of the STATUS Register, if set. Bits 6 and 7 of the STATUS Register are cleared on writing to the TX DATA Register.

### 4.10 C-BUS Timings

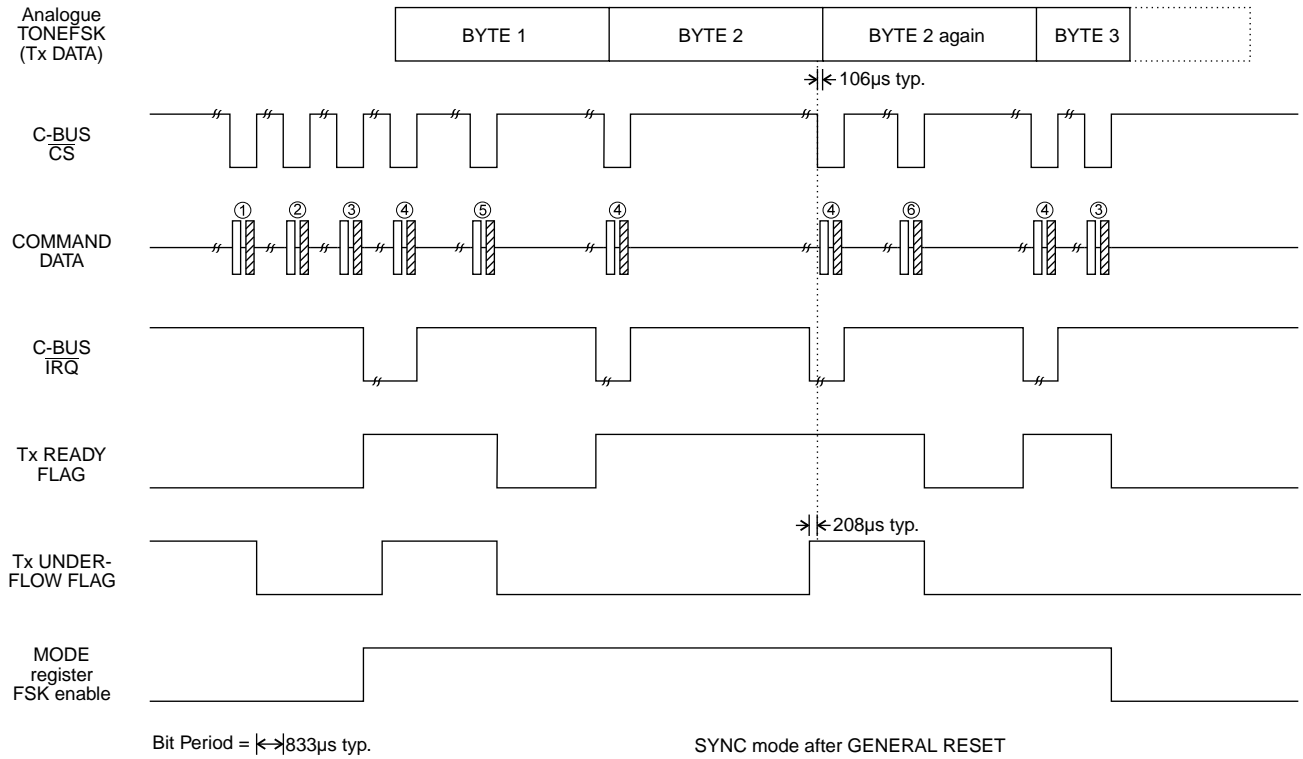
The relationship between bytes loaded onto the C-BUS and the transmission of FSK bytes shown in Figure 8, Figure 9, and Figure 10.

There are many ways that the C-BUS can be used to program a device. Three suggestions are shown in Figure 8, Figure 9, and Figure 10, together with typical timings. Please note that the C-BUS timing is not shown to the same scale as the FSK output.



NOTE: C-BUS timing not shown to scale

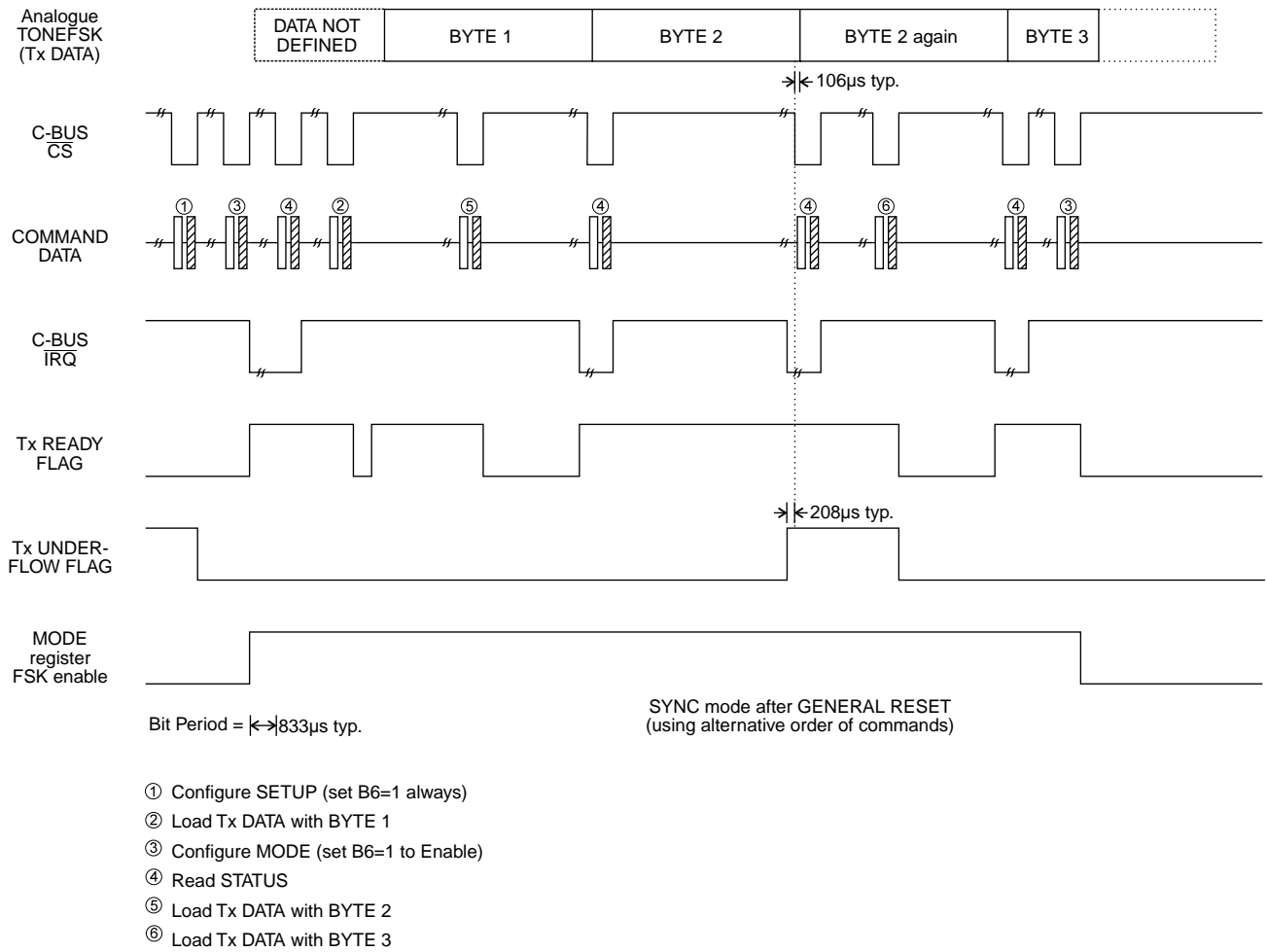
**Figure 8: ASYNC Mode after GENERAL RESET**



- ① Configure SETUP (set B6=1 always)
- ② Load Tx DATA with BYTE 1
- ③ Configure MODE (set B6=1 to Enable)
- ④ Read STATUS
- ⑤ Load Tx DATA with BYTE 2
- ⑥ Load Tx DATA with BYTE 3

NOTE: C-BUS timing not shown to scale

**Figure 9: SYNC Mode after GENERAL RESET**



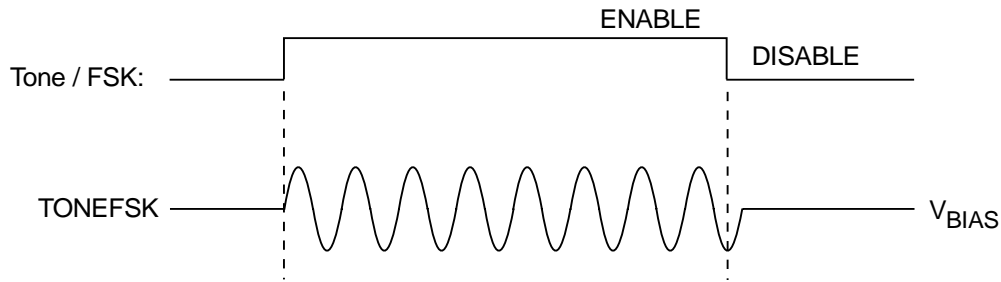
NOTE: C-BUS timing not shown to scale

**Figure 10: SYNC Mode after GENERAL RESET (using alternative order of commands)**



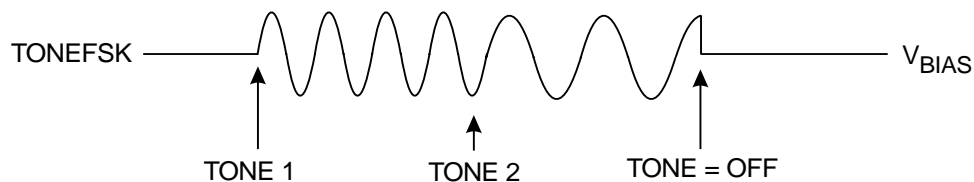
## 5 Application

When using the Tone/FSK bit (bit 6) of the MODE Register, each tone starts from  $V_{BIAS}$  and returns to  $V_{BIAS}$  before ending:



**Figure 11: Tone Starting and Stopping**

When switching between tones in the same column (bits 4 - 7 or bits 0 - 3) of the TX TONES Register, the transition will be phase continuous. However, switching to the “OFF” state will immediately take the output of that tone generator to  $V_{BIAS}$ .



**Figure 12: Tone Changing**

TX TONES Register codes which do not have a frequency allocated are indicated by “-” in the Tone Field tables. These code values should not be used.

### 5.1 Telecom Tones

The following table provides the hex codes to be programmed into the particular tone field location for various telecommunications systems applications. The tables are not exhaustive, but list the more commonly used tones.

(f $\pm$ 2.5%) (Hz)	Field 0 (Hex)
Off	\$00
16.7	\$01
20	\$02
25	\$03
35	\$04
40	\$05
50	\$06

**Table 12: Ringing Signals**

Single Tone (Hz)	Field 0 (Hex)	Dual Tone (Hz)	Field 0 (Hex)
375.2	\$60	375.2+1827	\$6E
404.3	\$70	404.3+1827	\$7E
468	\$80	468+1827	\$8E
495.8	\$90	495.8+1827	\$9E
520.6	\$A0	520.6+1827	\$AE
548	\$B0	548+1827	\$BE
562.8	\$C0	562.8+1827	\$CE
578.4	\$D0	578.4+1827	\$DE
1633	\$0D		

**Table 13: On Hook 'CPE' Alert Tones**

Group A (Hz)	Field 0 (Hex)	Group B (Hz)	Field 0 (Hex)
252.4	\$10	468	\$80
268.7	\$20	495.8	\$90
285.3	\$30	520.6	\$A0
315.5	\$40	562.8	\$C0
330.5	\$50	595	\$E0
375.2	\$60	612.5	\$F0

**Table 14: NYNEX (MRAA) - AMR Alert Tones (Single Tone)**

(Hz)	Field 1 (Hex)
Off	\$00
120	\$10
150	\$20
154	\$30
250	\$40
300	\$50
350	\$60
400	\$C0
425	\$04
440	\$06
450	\$07
480	\$09
500	\$0A
600	\$0B
620	\$0C

**Table 15: Single Frequency Call Progress Tones**

Additive Mixing (Hz)	Field 1 (Hex)	Multiplicative Mixing (Hz)	Field 1 (Hex)
Off	\$00		
350+440	\$66	400*16.2	\$B2
440+480	\$F6	400*20	\$A3
480+620	\$FC	400*25	\$94
400+425	\$C4	400*33	\$85
400+450	\$C7	400*40	\$76
425+450	\$D4	400*50	\$67
425+480	\$F4	450*25	\$E4
120+620	\$1C	600*120	\$FD
150+450	\$27		

Table 16: Dual Frequency Call Progress Tones

(Hz)	Field 2 (Hex)
Off	\$00
941+1633	\$FF
697+1209	\$CC
697+1336	\$CD
697+1477	\$CE
770+1209	\$DC
770+1336	\$DD
770+1477	\$DE
852+1209	\$EC
852+1336	\$ED
852+1477	\$EE
941+1336	\$FD
941+1209	\$FC
941+1477	\$FE
697+1633	\$CF
770+1633	\$DF
852+1633	\$EF

Table 17: Dual Tone Multi Frequency Generation

(Hz)	Field 2 (Hex)
Off	\$00
950	\$80
1100	\$30
1300	\$40
1400	\$90
1800	\$A0
2100	\$08
2225	\$09
2130+2750	\$BB

Table 18: Special Information Tones, Fax and Modem Tones and Customer Premises Alert Tones

(Hz)	Field 2 (Hex)
700+900	\$12
700+1100	\$13
900+1100	\$23
700+1300	\$14
900+1300	\$24
1100+1300	\$34
700+1500	\$15
900+1500	\$25
1100+1500	\$35
1300+1500	\$45
700+1700	\$16
900+1700	\$26
1100+1700	\$36
1300+1700	\$46
1500+1700	\$56

Table 19: CCITT 'R1' Signaling Tones

Forward mode (Hz)	Field 3 (Hex)	Backward mode (Hz)	Field 3 (Hex)
Off	\$00	Off	\$00
1380+1500	\$89	1140+1020	\$65
1380+1620	\$8A	1140+900	\$64
1500+1620	\$9A	1020+900	\$54
1380+1740	\$8B	1140+780	\$63
1500+1740	\$9B	1020+780	\$53
1620+1740	\$AB	900+780	\$43
1380+1860	\$8C	1140+660	\$62
1500+1860	\$9C	1020+660	\$52
1620+1860	\$AC	900+660	\$42
1740+1860	\$BC	780+660	\$32
1380+1980	\$8D	1140+540	\$61
1500+1980	\$9D	1020+540	\$51
1620+1980	\$AD	900+540	\$41
1740+1980	\$BD	780+540	\$31
1860+1980	\$CD	660+540	\$21

Table 20: CCITT 'R2' Signaling Tones

## 6 Performance Specification

### 6.1 Electrical Performance

#### 6.1.1 Absolute Maximum Ratings

Exceeding these maximum ratings can result in damage to the device.

	Min.	Max.	Unit
Supply ( $V_{DD} - V_{SS}$ )	-0.3	7.0	V
Voltage on any pin to $V_{SS}$	-0.3	$V_{DD} + 0.3$	V
Current into or out of			
$V_{DD}$	-50	50	mA
$V_{SS}$	-50	50	mA
Any other pin	-20	20	mA
<b>D4/P3 Package</b>			
Total Allowable Power Dissipation at $T_{AMB} = 25^{\circ}\text{C}$		800	mW
Derating above $25^{\circ}\text{C}$		13	mW/ $^{\circ}\text{C}$ above $25^{\circ}\text{C}$
Storage Temperature	-55	125	$^{\circ}\text{C}$
Operating Temperature	-40	85	$^{\circ}\text{C}$

#### 6.1.2 Operating Limits

Correct operation of the device outside these limits is not implied.

	Notes	Min.	Max.	Unit
Supply ( $V_{DD} - V_{SS}$ )		2.7	5.5	V
Operating Temperature		-40	85	$^{\circ}\text{C}$
Xtal Frequency	1	3.575965	3.583125	MHz

#### Notes:

1. A Xtal frequency of 3.579545MHz  $\pm$ 0.1% is required for correct operation.

### 6.1.3 Operating Characteristics

For the following conditions unless otherwise specified:

$V_{DD} = 2.7V$  at  $T_{AMB} = 25^{\circ}C$  and  $V_{DD} = 3.0V$  to  $5.5V$  at  $T_{AMB} = -40$  to  $85^{\circ}C$ ,  
Xtal Frequency = 3.579545MHz – 0.1%, 0dBm corresponds to 775mV<sub>RMS</sub>

	Notes	Min.	Typ.	Max.	Unit
<b>DC Parameters</b>					
$I_{DD}$					
Op-Amp only Enabled ( $V_{DD} = 5.0V$ )	1		2.0		mA
DTMF Rx only, $V_{DD} = 5.0V$	1		2.8	4.5	mA
Tx (tones, SPM) only, $V_{DD} = 5.0V$	1		4.6	7.0	mA
All Enabled, $V_{DD} = 5.0V$	1		7.2	11.0	mA
Op-Amp only Enabled ( $V_{DD} = 3.3V$ )	1		0.75		mA
DTMF Rx only, $V_{DD} = 3.3V$	1		1.2	2.5	mA
Tx (tones, SPM) only, $V_{DD} = 3.3V$	1		2.0	3.0	mA
All Enabled, $V_{DD} = 3.3V$	1		3.2	5.0	mA
Logic '1' Input Level	3	70%			$V_{DD}$
Logic '0' Input Level	3			30%	$V_{DD}$
Logic Input Leakage Current ( $V_{IN} = 0$ to $V_{DD}$ ), (excluding XTAL/CLOCK input)	3	-1.0		1.0	$\mu A$
Output Logic '1' Level ( $I_{OH} = 360\mu A$ )		$V_{DD}-0.4$			V
Output Logic '0' Level ( $I_{OL} = 360\mu A$ )				0.4	V
$\overline{IRQ}$ output 'Off' State Current ( $V_{OUT} = V_{DD}$ )				1.0	$\mu A$
<b>FSK Encoder and Tx UART</b>					
Level at TONEFSK pin	4	-1.0	0.0	1.0	dBm
Twist (Mark level with regards to Space level)		-2.0	0	2.0	dB
Tx 1200bits/sec (V23 mode)					
Baud Rate (set by UART and Xtal frequency)		1194	1200	1206	Baud
Mark (Logical 1) Frequency		1297	1300	1303	Hz
Space (Logical 0) Frequency		2097	2100	2103	Hz
Tx 1200bits/sec (Bell 202 mode)					
Baud Rate (set by UART and Xtal frequency)		1194	1200	1206	Baud
Mark (Logical 1) Frequency		1197	1200	1203	Hz
Space (Logical 0) Frequency		2197	2200	2203	Hz
<b>TONEFSK Signal Level</b>					
Level at TONEFSK pin for:					
Single tone	4	-1.0	0	1.0	dBm
Dual tone (per tone)	4	-4.0	-3.0	-2.0	dBm
DTMF High Frequency Group	4	-4.0	-3.0	-2.0	dBm
DTMF Low Frequency Group	4	-6.0	-5.0	-4.0	dBm
Output Impedance			10.0	-	kw
Tone frequency resolution		-2.0		2.0	Hz
Tone output distortion	5		0.8		%

	Notes	Min.	Typ.	Max.	Unit
<b>DTMF Decoder</b>					
Valid input signal levels (each tone of composite signal)	4	-29.0		-2.0	dBm
Not decode level (either tone of composite signal)	4			-40.0	dBm
Twist = High Tone/Low Tone		-9.0		10.0	dB
Frequency Detect Bandwidth		±1.8		±4.5	%
Input Impedance for RXIN (at 100Hz)			0.5		M $\omega$
Dial Tone Tolerance	7			0	dB
Noise Tolerance	7,8		-14		dB
Tone Response time	2			40.0	ms
Tone De-response time	2			45.0	ms
Tone burst detected	2	40.0		-	ms
Tone burst ignored	2		20.0		ms
Pause length detected	2	40.0			ms
Pause length ignored	2			20.0	ms
<b>SPM Signal Level</b>					
Level at SPM pin	4, 6	-1.5	0	1.0	dBm
	4, 6, 10	-1.0	0	0.5	dB
Tone frequency accuracy		-14.0		14.0	Hz
Tone output distortion	5		1.2	TBD	%
Output Impedance			10.0		k $\omega$
<b>Uncommitted Amplifier</b>					
Open Loop Gain (Input = 1mV <sub>RMS</sub> at 100Hz)			60.0		dB
Unity Gain Bandwidth			5.0		MHz
Input Impedance (at 100Hz)		10.0			M $\omega$
Output Impedance (Open Loop)			10.0		k $\omega$
<b>Power-Up Timing</b>					
Device reset to reliable signal at AMPOUT, RING, SPM, TONEFSK output pins			50		ms
<b>XTAL/CLOCK Input</b>					
'High' Pulse Width	9	100			ns
'Low' Pulse Width	9	100			ns
Input Impedance (at 100Hz)			1.0		M $\omega$
Gain (input = 1mV <sub>RMS</sub> at 100Hz)		20.0			dB

**Notes:**

1. At 25 C, not including any current drawn from the CMX605 pins by external circuitry other than X1, C1 and C2.
2. At nominal signal frequencies and without skew..
3. Excluding XTAL/CLOCK pin.
4. At  $V_{DD} = 5.0V$ , load resistance greater than  $40k\Omega$ , signal levels are proportional to  $V_{DD}$ .
5. Frequency above 300Hz.
6. SPM has a soft rise and fall time of about 4.5ms. The level changes between  $V_{BIAS}$  and 0dBm in 2dB steps, 16 steps per rise and fall. When SPM is disabled, an extra 4.5ms falling tail end of signal should be taken into consideration.
7. Referenced to DTMF tone of lower amplitude.
8. Bandwidth limited: 0 to 3.4kHz Gaussian Noise.
9. Timing for an external input to the XTAL/CLOCK pin.
10. Over the range  $V_{DD} = 3.3V$  to  $5.5V$  at  $T_{AMB} = 25\text{ C}$



6.1.4 Timing

'C-BUS' Timings (See Figure 13)		Notes	Min.	Typ.	Max.	Unit
$t_{CSE}$	$\overline{CS}$ -Enable to Clock-High time		100	-	-	ns
$t_{CSH}$	Last Clock-High to $\overline{CS}$ -High time		100	-	-	ns
$t_{LOZ}$	Clock-Low to Reply Output enable time		0.0	-	-	ns
$t_{HIZ}$	$\overline{CS}$ -High to Reply Output 3-state time		-	-	1.0	$\mu$ s
$t_{CSOFF}$	$\overline{CS}$ -High Time between transactions		1.0	-	-	$\mu$ s
$t_{NXT}$	Inter-Byte Time		500	-	-	ns
$t_{CK}$	Clock-Cycle time		500	-	-	ns
$t_{CH}$	Serial Clock-High time		200	-	-	ns
$t_{CL}$	Serial Clock-Low time		200	-	-	ns
$t_{CDS}$	Command Data Set-Up time		75	-	-	ns
$t_{CDH}$	Command Data Hold time		25	-	-	ns
$t_{RDS}$	Reply Data Set-Up time		75	-	-	ns
$t_{RDH}$	Reply Data Hold time		0	-	-	ns

Table 21: C-BUS Timing

Note: These timings are for the latest version of the 'C-BUS' as embodied in the CMX605, and allow faster transfers than the original 'C-BUS' timings provided in MX-COM's Publication Doc. # 20480060.001.

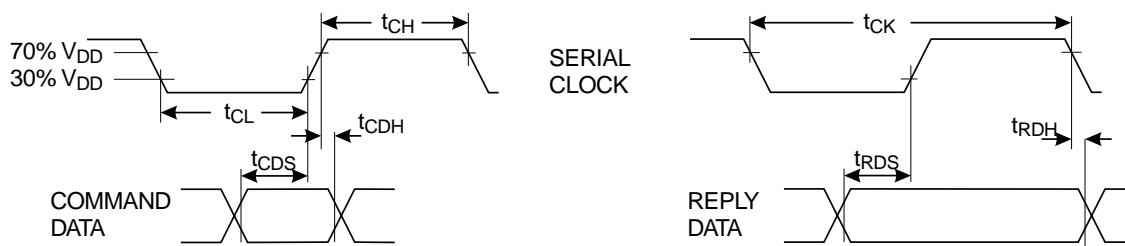
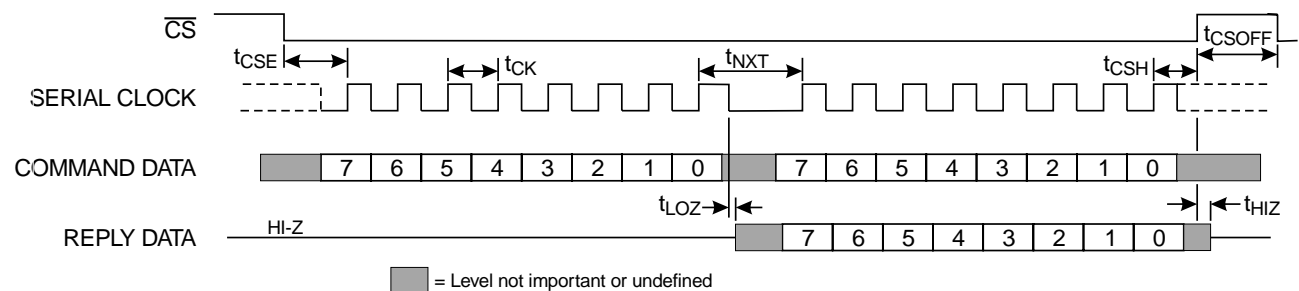


Figure 13: 'C-BUS' Timing

## 6.2 Packaging

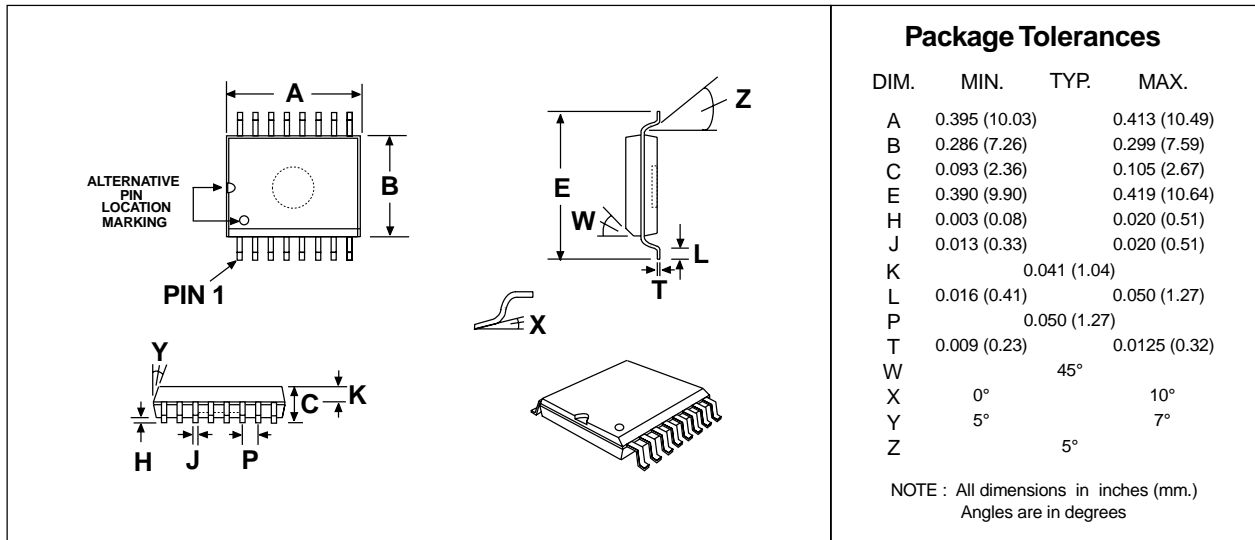


Figure 14: 16-pin SOIC (D4) Mechanical Outline: Order as part no. CMX605D4

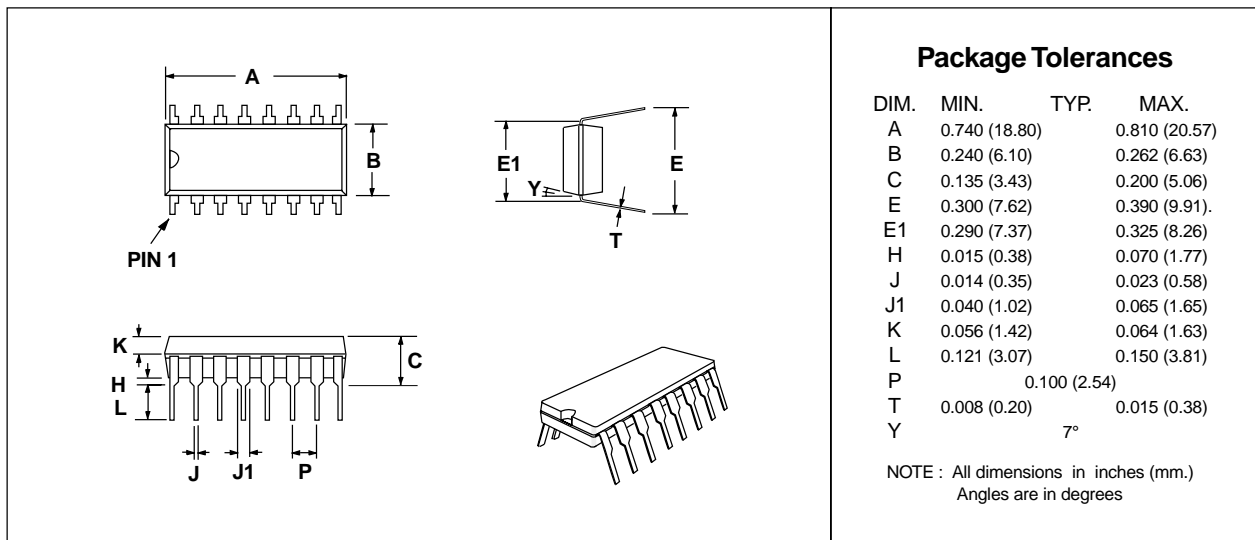


Figure 15: 16-pin PDIP (P3) Mechanical Outline: Order as part no. CMX605P3